

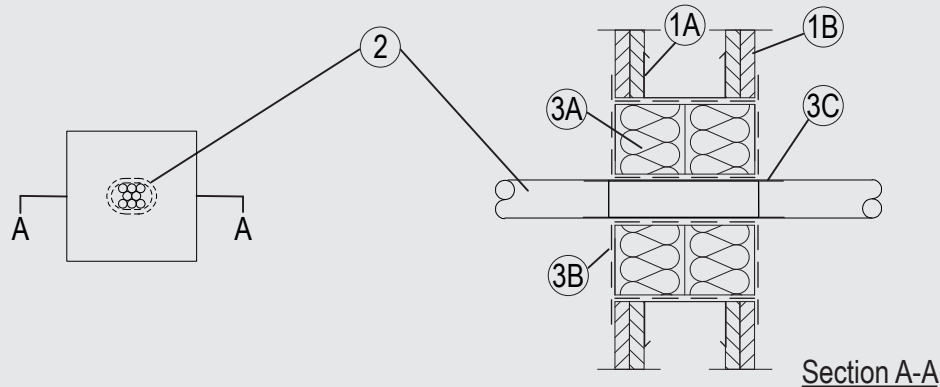
Through-penetration Firestop Systems

System No. W-L-2687

ANSI/UL1479 (ASTM E814)

CAN / ULC S115

F Rating — 2 Hr	F Rating – 2 Hr
T Rating — 2 Hr	FT Rating – 2 Hr
	FH Rating – 2 Hr
	FTH Rating – 2 Hr



System tested with a pressure differential of 2.5 Pa between the exposed and the unexposed surfaces with the higher pressure on the exposed side.

1. Wall Assembly

The 1 or 2 hr fire rated gypsum board/stud wall assembly shall be constructed of the materials and in the manner described in the individual U400, V400 or W400 Series Wall and Partition Design in the UL Fire Resistance Directory and shall include the following construction features:

- A. Studs — Steel studs to be min 2-3/4 in. (70 mm) wide spaced max 24 in. (610 mm) OC. Additional studs used to completely frame the opening.
- B. Gypsum Board* — The gypsum board type, thickness, number of layers, fastener type and sheet orientation shall be as specified in the individual Wall and Partition Design in the UL Fire Resistance Directory. Max size of framed opening to be 4-1/2 in. (116 mm) high by 4-1/2 in. (116 mm) wide.

2. Pipes/ Tubes

Single Speed-Pipe bundle to be installed within the opening. The annular space between the pipes and the periphery of the opening to be 1-1/3 in (33 mm). Pipes to be rigidly supported on both sides of the wall assembly. The following penetrants may be used:

- A. Nominal 1 in (50mm) diameter, PE-HD plastic pipe 'Speed-Pipe bundle for use in closed (process or supply) piping systems.

3. Firestop System

The Firestop System shall consist of the following:

- A. Packing Material — 2 layers of Nom. 2-3/8 in. (60 mm) thick mineral wool board min. 9.3 pcf (150 kg/m³) firmly packed into the opening of the wall as a permanent form.
- B. Fill, Void or Cavity Material* — Min. 1/16 in. (2 mm) dry film thickness to be applied, coating the inside surface of the opening before installation of the packing material and over the full surface of the mineral wool boards, and overlapping onto the wall by min. 3/4 in. (20 mm) on both sides of the wall.
SVT BRANDSCHUTZ VERTRIEBSGESELLSCHAFT MBH INTERNATIONAL — PYRO-SAFE FLAMMOTECT A
- C. Fill, Void or Cavity Material* — 1 lengths of 1 layer of 1/16 in (1.5 mm) by 5 in. (125 mm) wrap butt positioned centrally within the depth of the seal.
SVT BRANDSCHUTZ VERTRIEBSGESELLSCHAFT MBH INTERNATIONAL — PYRO-SAFE DG-CR 1.5"

*Indicates such products shall bear the UL or cUL Certification Mark for jurisdictions employing the UL or cUL Certification (such as Canada), respectively.

Please contact us for further information:

Information: global@svt.de Order: order@svt.de
+49 4105-40 90-0