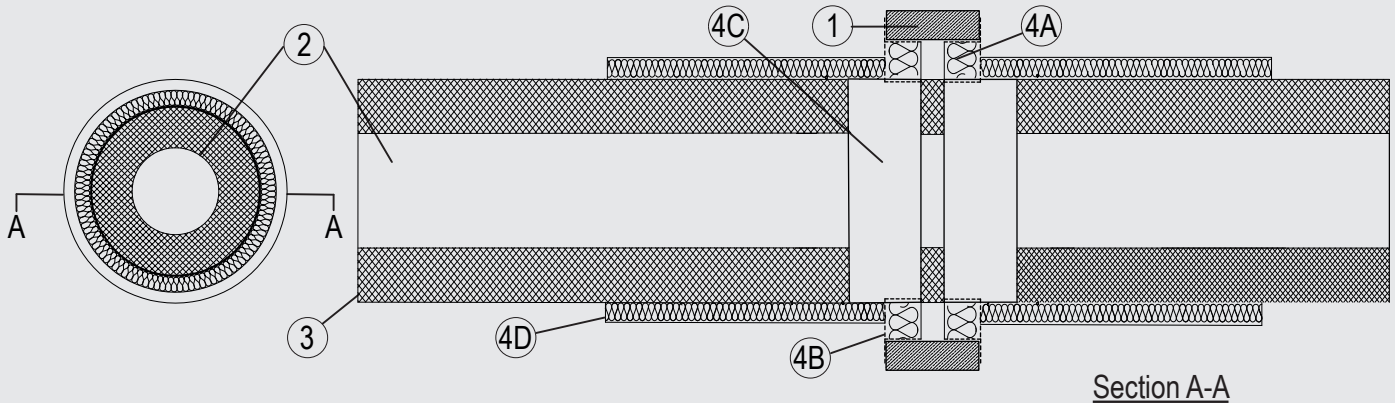


Through-penetration Firestop Systems

System No. W-J-5 188

ANSI/UL1479 (ASTM E814)	CAN / ULC S115
F Rating — 3 Hr	F Rating – 3 Hr
T Rating — 0 Hr	FT Rating – 0 Hr
	FH Rating – 3 Hr
	FTH Rating – 0 Hr



1. Wall Assembly

Min. 4-1/2 in. (115 mm) thick lightweight or normal weight (100-150 pcf or 1600 - 2400 kg/m³) concrete. Wall may also be constructed of any UL Classified Concrete Blocks*. Opening shall be circular or rectangular with max dimensions of 16-1/8 in. (409 mm).

*See Concrete Blocks (CAZT) in the Fire Resistance Directory for names of manufacturers.

2. Pipes/ Tubes

Single to be installed within the opening. The annular space between the pipes and the periphery of the opening to be 2 in (50 mm). Pipes to be rigidly supported on both sides of the wall assembly. The following penetrants may be used:

- A. Nominal 6-1/4 in (159mm) diameter, Schedule M copper pipe for use in closed (process or supply) or vented (drain, waste or vent) piping systems.

3. Pipe Covering*

Nom 3 in. (75 mm) thick acrylonitrile butadiene/polyvinyl chloride (AB/PVC) flexible foam furnished in the form of tubing. The annular space between the insulated pipe or tubing and periphery of the opening shall be 2 in (50 mm).

See Plastics + (QMFZ2) category in the Plastics Recognized Component Directory for names of manufacturers. Any Recognized Component tube insulation material meeting the above specifications and having a UL 94 Flammability Classification of 95-5VA may be used.

4. Firestop System

The Firestop System shall consist of the following:

- A. Packing material — Nom. 2-3/8 in. (60 mm) thick mineral wool board min. 9.3 pcf (150 kg/m³) firmly packed into the opening of the wall as a permanent form.
- B. Fill, Void or Cavity Material* — Min. 1/16 in. (2 mm) dry film thickness to be applied inside the aperture before installation and over the full surface of the mineral wool boards, and overlapping onto the wall by min. 3/4 in. (20 mm).
SVT BRANDSCHUTZ VERTRIEBSGESELLSCHAFT MBH INTERNATIONAL — PYRO-SAFE FLAMMOTECT A
- C. Fill, Void or Cavity Material* — 2 lengths of 2 layer of 1/16 in (1.5 mm) by 5 in. (125 mm) wrap butt jointed centrally within the depth of the seal around pipe to a total length of 9-7/8 in. (250 mm).
SVT BRANDSCHUTZ VERTRIEBSGESELLSCHAFT MBH INTERNATIONAL — PYRO-SAFE DG-CR 1.5"
- D. Duct Insulation — Nom. 1-1/4 in. (30 mm) thick stone wool mineral fibre 2.5-3.1 pcf (40-50 kg/m³) wrapped around duct for min. 20 in. (500 mm) on both faces.

*Indicates such products shall bear the UL or cUL Certification Mark for jurisdictions employing the UL or cUL Certification (such as Canada), respectively.

Please contact us for further information:

Information: global@svt.de Order: order@svt.de
+49 4105-40 90-0