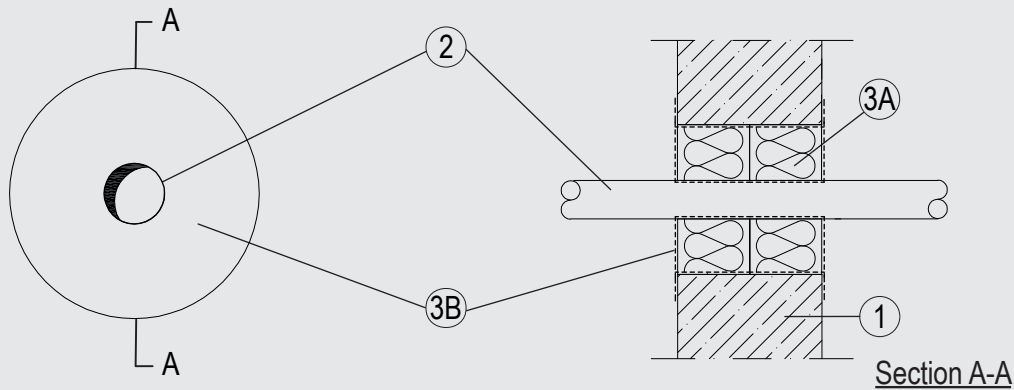


Through-penetration Firestop Systems

System No. W-J-1263

ANSI/UL1479 (ASTM E814)	CAN / ULC S115
F Rating — 3 Hr	F Rating – 3 Hr
T Rating — 1/2 Hr	FT Rating – 1/2 Hr
	FH Rating – 3 Hr
	FTH Rating – 1/2 Hr



1. Wall Assembly

Min 4-1/2 in. (115 mm) thick lightweight or normal weight (100-150 pcf or 1600-2400 kg/m³) concrete. Opening shall be circular or rectangular with max diameter or dimensions of 5-1/4 in. (132 mm). Wall may also be constructed of any UL Classified Concrete Blocks*. Opening shall be circular or rectangular with max diameter or dimensions of 5-1/4 in. (132 mm).

See Concrete Blocks (CAZT) category in Fire Resistance Directory for names of manufacturers.

2. Pipes

Single pipe to be installed within the opening. The annular space between the pipe and the periphery of the opening to be a nom 2 in (50 mm). Pipe to be rigidly supported on both sides of the wall assembly. The following pipes may be used:

- A. Nominal 1-1/4 in. (32 mm) diameter (or smaller) Type M (or heavier) copper tube.
- B. Nominal 1-1/4 in. (32 mm) diameter (or smaller) Schedule 10 (or heavier) steel pipe.

3. Firestop System

The Firestop System shall consist of the following:

- A. Packing Material — Nom. 2-3/8 in. (60 mm) thick mineral wool boards min. 9.3 pcf (150 kg/m³) firmly packed into the opening of the wall as a permanent form. Packing material to be installed flush with both surfaces of wall.
- B. Fill, Void or Cavity Material* — Min. 1/16 in. (2 mm) dry film thickness to be applied inside the aperture before installation and over the full surface of the mineral wool boards, and overlapping onto the wall by min. 3/4 in. (20 mm).

SVT BRANDSCHUTZ VERTRIEBSGESELLSCHAFT MBH INTERNATIONAL — PYRO-SAFE FLAMMOTECT A

*Indicates such products shall bear the UL or cUL Certification Mark for jurisdictions employing the UL or cUL Certification (such as Canada), respectively.

Please contact us for further information:

✉ Information: global@svt.de Order: order@svt.de

☎ +49 4105-40 90-0