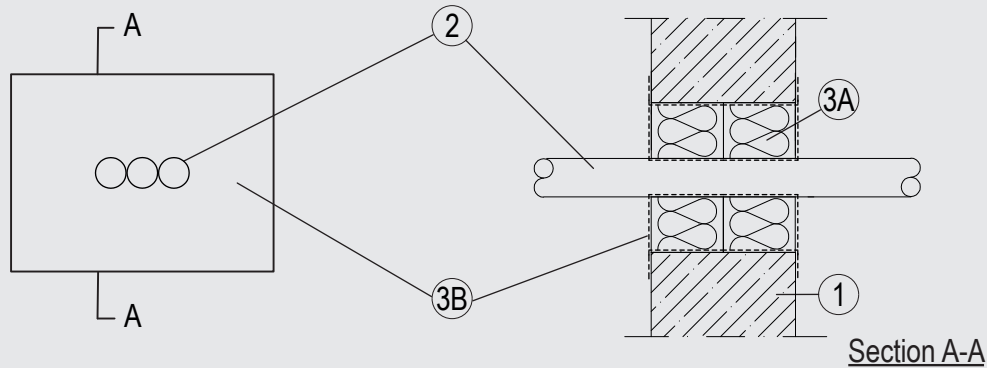


# Through-penetration Firestop Systems

## System No. W-J-1262

| ANSI/UL1479 (ASTM E814) | CAN / ULC S115    |
|-------------------------|-------------------|
| F Rating — 3 Hr         | F Rating – 3 Hr   |
| T Rating — 3 Hr         | FT Rating – 3 Hr  |
|                         | FH Rating – 3 Hr  |
|                         | FTH Rating – 3 Hr |



### 1. Wall Assembly

Min 4-1/2 in. (115 mm) thick lightweight or normal weight (100-150 pcf or 1600-2400 kg/m<sup>3</sup>) concrete. Wall may also be constructed of any UL Classified Concrete Blocks\*. Opening shall be rectangular with max dimensions of 4-1/2 in. (116 mm) by 5-7/8 in. (148 mm). Opening shall be rectangular with max dimensions of 4-1/2 in. (116 mm) by 5-7/8 in. (148 mm).

See Concrete Blocks (CAZT) category in Fire Resistance Directory for names of manufacturers.

### 2. Pipes

Single or tight bundle to be installed within the opening. Aggregate cross-sectional area of pipes in opening to have a visual fill of min 0% to max 3.49%. The annular space between the pipes and the periphery of the opening to be nom 2 in (50 mm). Pipes to be rigidly supported on both sides of the wall assembly. The following pipes may be used:

- A. Nom 5/8 in. (17 mm) diameter (or smaller) Schedule 40 (or heavier) steel pipe.

### 3. Firestop System

The Firestop System shall consist of the following:

- A. Packing Material — Nom. 2-3/8 in. (60 mm) thick mineral wool boards min. 9.3 pcf (150 kg/m<sup>3</sup>) firmly packed into the opening of the wall as a permanent form. Packing material to be installed flush with both surfaces of wall.
- B. Fill, Void or Cavity Material\* — Min. 1/16 in. (2 mm) dry film thickness to be applied inside the aperture before installation and over the full surface of the mineral wool boards, and overlapping onto the wall by min. 3/4 in. (20 mm).

SVT BRANDSCHUTZ VERTRIEBSGESELLSCHAFT MBH INTERNATIONAL — PYRO-SAFE FLAMMOTECT A

\*Indicates such products shall bear the UL or cUL Certification Mark for jurisdictions employing the UL or cUL Certification (such as Canada), respectively.

**Please contact us for further information:**  
 Information: [global@svt.de](mailto:global@svt.de)    Order: [order@svt.de](mailto:order@svt.de)  
 +49 4105-40 90-0