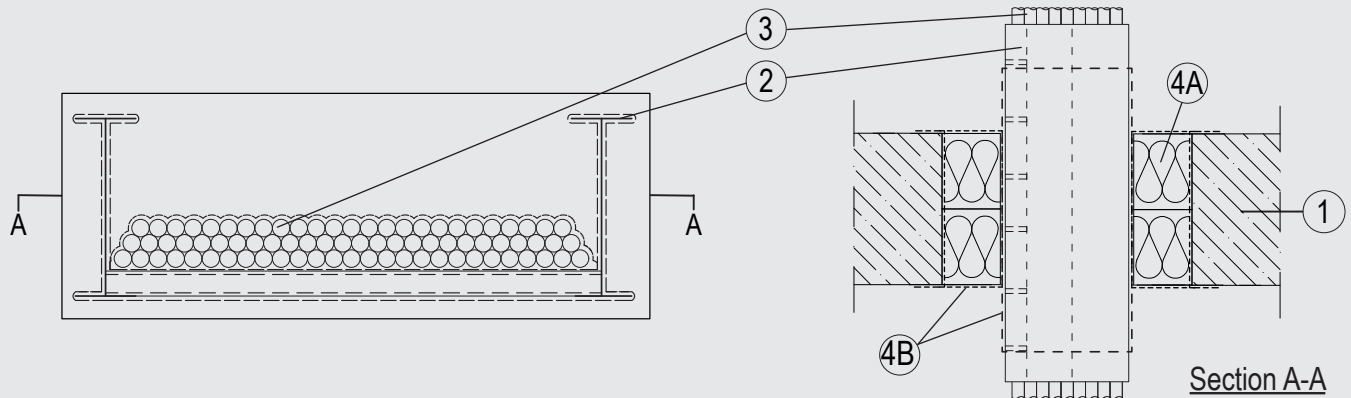


# Through-penetration Firestop Systems

## System No. F-A-4018

| ANSI/UL1479 (ASTM E814) | CAN / ULC S115        |
|-------------------------|-----------------------|
| F Rating — 3 Hr         | F Rating – 3 Hr       |
| T Rating — 1-1/2 Hr     | FT Rating – 1-1/2 Hr  |
|                         | FH Rating – 3 Hr      |
|                         | FTH Rating – 1-1/2 Hr |



### 1. Floor Assembly

Min 4-1/2 in. (115 mm) thick lightweight or normal weight (100-150 pcf or 1600-2400 kg/m<sup>3</sup>) concrete. Opening shall be rectangular with max dimensions of 21-2/3 in. (551 mm) by 7-7/8 in. (200 mm).

### 2. Cable Tray\*

Nom 13-3/4 in. (350 mm) wide by max 4 in. (101.6 mm) deep open-perforated or solid sheet cable tray with side rails formed of min 1/8 in. (2.3 mm) thick aluminium. The annular space between the cables trays and the periphery of the opening to be a min 1-7/8 in. (47 mm). Cable trays to be rigidly supported on both sides of the floor assembly.

### 3. Cables

Aggregate cross-sectional area of cables in cable tray not to exceed 19 percent of the cross-sectional area of the aperture based on a max 1-7/8 in. (48 mm) cable loading depth within the tray. The following types and sizes of cables may be used:

- A. Nom 4-1/4 in (110mm) diam 1/8 in. (3,2 mm) wall thickness PVC pipe for use in closed (process or supply) or vented (drain, waste or vent) piping systems.

### 4. Firestop System

The Firestop System shall consist of the following:

- A. Packing Material — Nom 2-3/8 in. (60 mm) thick mineral wool boards min 9.3 pcf (150 kg/m<sup>3</sup>) firmly packed into the opening of the wall as a permanent form. Packing material to be installed flush with both surfaces of floor.
  - B. Fill, Void or Cavity Material\* — Min 1/16 in. (2 mm) dry film thickness to be applied inside the aperture before installation and over the full surface of the mineral wool boards, and overlapping onto the floor by min 3/4 in. (20 mm). Min 1/32 in. (1 mm) dry film thickness to be applied over the surface of the cables and tray to a min length of 7-7/8 in. (200 mm) from both faces of the board.
- SVT BRANDSCHUTZ VERTRIEBSGESELLSCHAFT MBH INTERNATIONAL — PYRO-SAFE FLAMMOTECT A

\*Indicates such products shall bear the UL or cUL Certification Mark for jurisdictions employing the UL or cUL Certification (such as Canada), respectively.

Please contact us for further information:

Information: [global@svt.de](mailto:global@svt.de) Order: [order@svt.de](mailto:order@svt.de)  
 +49 4105-40 90-0