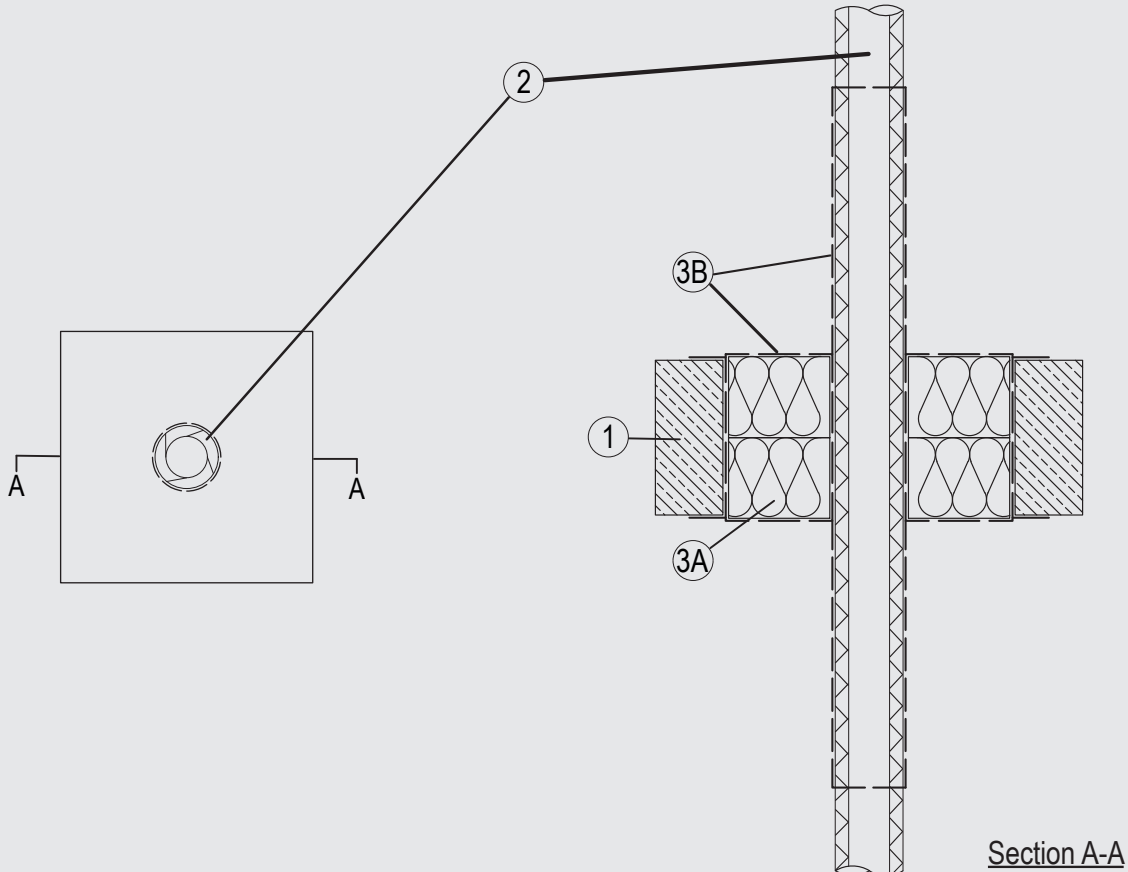


Through-penetration Firestop Systems

System No. F-A-3070

ANSI/UL1479 (ASTM E814)
CAN / ULC S115

F Rating — 3 Hr	F Rating — 3 Hr
T Rating — 1-1/2 Hr	FT Rating — 1-1/2 Hr
	FH Rating — 3 Hr
	FTH Rating — 1-1/2 Hr



1. Wall and Floor Assembly

Min 4-1/2 in. (115 mm) thick lightweight or normal weight (100-150 pcf or 1600 - 2400 kg/m³) concrete. Opening shall be rectangular with max dimensions of 7-7/8 in. (200 mm) by 7-7/8 in. (200 mm).

2. Services

Single hollow optic cable (waveguide) with max diam 2-1/2 in. (63 mm). The annular space between the cable and the periphery of the opening to be 2-3/4 in. (68.5 mm). Cable to be rigidly supported on both sides of the floor assembly.

3. Firestop System

The Firestop System shall consist of the following:

- A. Packing material — 2 layers of nom 2-3/8 in. (60 mm) thick mineral wool board min 9.3 pcf (150 kg/m³) firmly packed into the opening of the floor as a permanent form.
- B. Fill, Void or Cavity Material* — Min 1/16 in. (2 mm) dry film thickness to be applied inside the aperture before installation and over the full surface of the mineral wool boards, and overlapping onto the floor by min 3/4 in. (20 mm). Min 1/32 in. (1 mm) dry film thickness to be applied over the surface of the cable to a min length of 7-7/8 in. (200 mm) from both faces of the board.

SVT BRANDSCHUTZ VERTRIEBSGESELLSCHAFT MBH INTERNATIONAL — PYRO-SAFE FLAMMOTECT A

*Indicates such products shall bear the UL or cUL Certification Mark for jurisdictions employing the UL or cUL Certification (such as Canada), respectively.

Please contact us for further information:

Information: global@svt.de Order: order@svt.de
 +49 4105-40 90-0