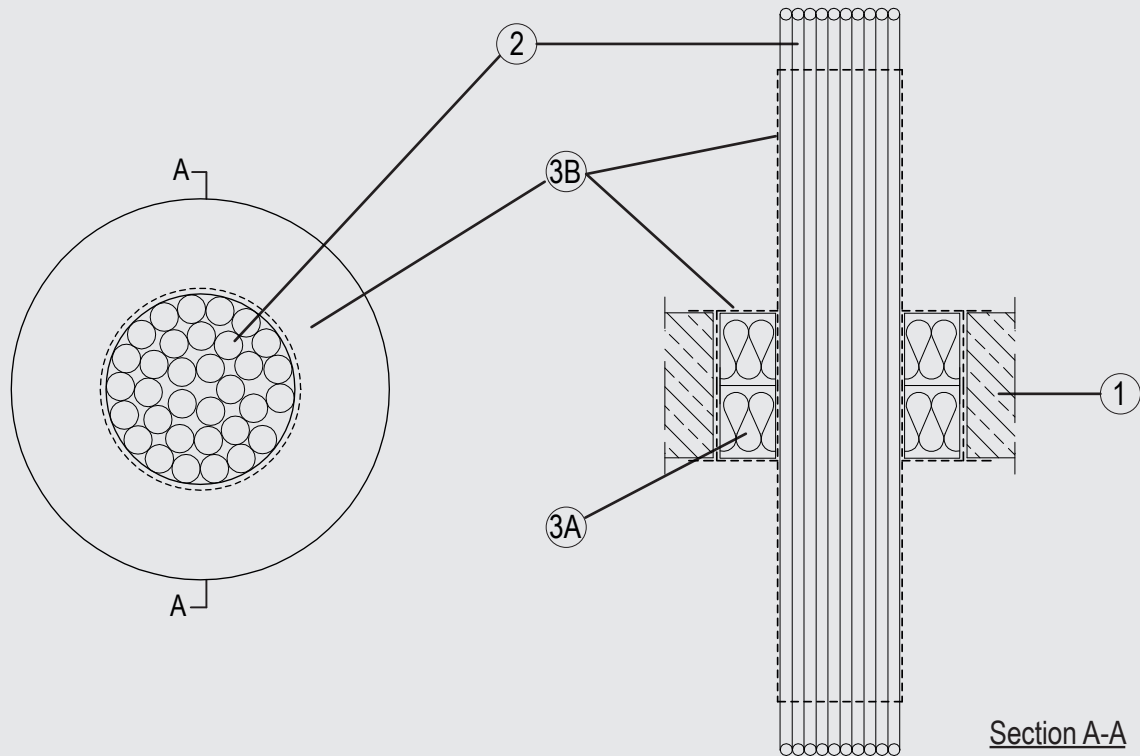


Through-penetration Firestop Systems

System No. F-A-3062

ANSI/UL1479 (ASTM E814)
CAN / ULC S115

F Rating — 3 Hr	F Rating — 3 Hr
T Rating — 1 Hr	FT Rating — 1 Hr
	FH Rating — 3 Hr
	FTH Rating — 1 Hr



1. Floor Assembly

Lightweight or normal weight (100-150 pcf or 1600-2400 kg/m³) concrete, min thickness of solid concrete floor assembly is 4-1/2 in. (115 mm). Opening shall be circular or rectangular with max diameter or dimensions of 7-7/8 in. (200 mm).

2. Cables

Single or tight bundle of cables to be installed within the opening on a cable tray. Aggregate crosssectional area of cables in opening to have a visual fill of min 0% to max 50%. The annular space between the cable bundle and the periphery of the opening to be 2 in (50 mm). Cables to be rigidly supported on both sides of the floor assembly. The following types and sizes of cables may be used:

- A. Max 20/C No. 19 AWG (0.6 mm) diameter (or smaller), copper conductor telecommunication cables PE jacket.

3. Firestop System

The Firestop System shall consist of the following:

- A. Packing Material — Nom. 2-3/8 in. (60 mm) thick mineral wool board min. 9.3 pcf (150 kg/m³) firmly packed into the opening of the floor as a permanent form. Packing material to be installed flush with both surfaces of floor.
 - B. Fill, Void or Cavity Material* — Min. 1/16 in. (2 mm) dry film thickness to be applied inside the aperture before installation and over the full surface of the mineral wool boards, and overlapping onto the concrete by min. 3/4 in. (20 mm). Min. 1/32 in. (1 mm) dry film thickness to be applied over the surface of the cables to a minimum length of 7-7/8 in. (200 mm) from both faces of the board.
- SVT BRANDSCHUTZ VERTRIEBSGESELLSCHAFT MBH INTERNATIONAL — PYRO-SAFE FLAMMOTECT A

*Indicates such products shall bear the UL or cUL Certification Mark for jurisdictions employing the UL or cUL Certification (such as Canada), respectively.

Please contact us for further information:

Information: global@svt.de Order: order@svt.de
 +49 4105-40 90-0