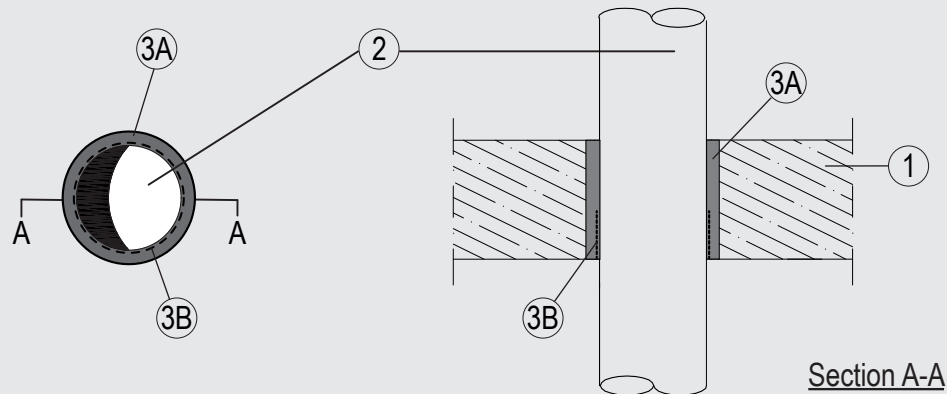


# Through-penetration Firestop Systems

## System No. F-A-2334

| ANSI/UL1479 (ASTM E814) | CAN / ULC S115    |
|-------------------------|-------------------|
| F Rating — 3 Hr         | F Rating – 3 Hr   |
| T Rating — 3 Hr         | FT Rating – 3 Hr  |
|                         | FH Rating – 3 Hr  |
|                         | FTH Rating – 3 Hr |



System tested with a pressure differential of 2.5 Pa between the exposed and the unexposed surfaces with the higher pressure on the exposed side.

### 1. Floor Assembly

Min. 4-1/2 in. (115 mm) thick lightweight or normal weight (100-150 pcf or 1600 - 2400 kg/m<sup>3</sup>) concrete. Opening shall be circular or rectangular with max diameter or dimensions of 6.3 in. (160 mm).

### 2. Pipes / Tubes

Single to be installed within the opening. The annular space between the pipes and the periphery of the opening to be 1 in (25 mm). Pipes to be rigidly supported on both sides of the floor assembly. The following penetrants may be used:

- A. Nom 4.3 in (110 mm) diam 0.26 in (6.6 mm) wall thickness PE pipe for use in closed (process or supply) piping systems.

### 3. Firestop System

The Firestop System shall consist of the following:

- A. Packing Material — UL Certified gypsum mud, minimum 1 in. width inside the aperture.
- B. Fill, Void or Cavity Material\* — 1 length of 1 layer of 1/16 in (1.5 mm) by 2 in. (50 mm) wrap flush mounted on the exposed side around the pipe.  
SVT BRANDSCHUTZ VERTRIEBSGESELLSCHAFT MBH INTERNATIONAL — PYRO-SAFE DG-CR BS

\*Indicates such products shall bear the UL or cUL Certification Mark for jurisdictions employing the UL or cUL Certification (such as Canada), respectively.

Please contact us for further information:

Information: [global@svt.de](mailto:global@svt.de) Order: [order@svt.de](mailto:order@svt.de)  
+49 4105-40 90-0