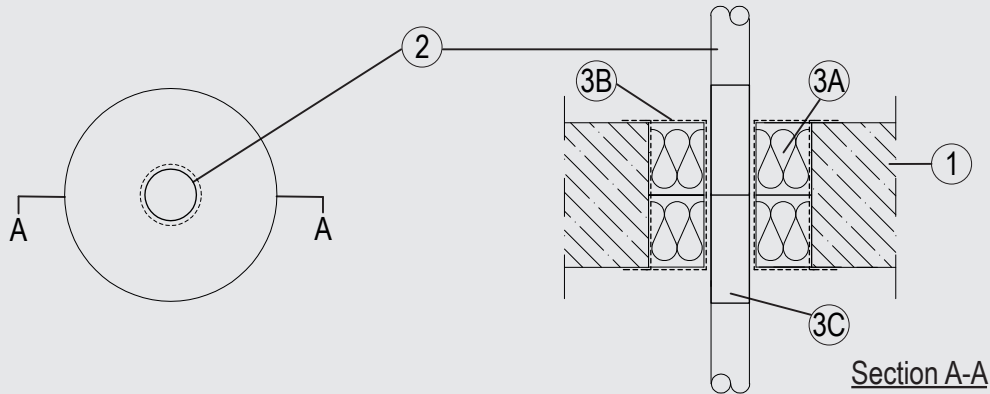


Through-penetration Firestop Systems

System No. F-A-2282

| ANSI/UL1479 (ASTM E814) | CAN / ULC S115 |
|-------------------------|-------------------|
| F Rating — 3 Hr | F Rating – 3 Hr |
| T Rating — 2 Hr | FT Rating – 2 Hr |
| | FH Rating – 3 Hr |
| | FTH Rating – 2 Hr |



System tested with a pressure differential of 2.5 Pa between the exposed and the unexposed surfaces with the higher pressure on the exposed side.

1. Floor Assembly

Min. 4-1/2 in. (115 mm) thick lightweight or normal weight (100-150 pcf or 1600 - 2400 kg/m³) concrete. Opening shall be circular or rectangular with max dimensions of 7-7/8 in. (200 mm).

2. Pipes / Tubes

Single to be installed within the opening. The annular space between the pipes and the periphery of the opening to be 2 in (50 mm). Pipes to be rigidly supported on both sides of the floor assembly. The following penetrants may be used:

- A. Nominal 3 in (76 mm) diameter, 1/8 in. (3.6 mm) wall thickness PVC pipe for use in closed (process or supply) or vented (drain, waste or vent) piping systems.

3. Firestop System

The Firestop System shall consist of the following:

- A. Packing material — 2 layers of Nom. 2-3/8 in. (60 mm) thick mineral wool board min. 9.3 pcf (150 kg/m³) firmly packed into the opening of the floor as a permanent form.
- B. Fill, Void or Cavity Material* — Min. 1/16 in. (2 mm) dry film thickness to be applied inside the aperture before installation and over the full surface of the mineral wool boards, and overlapping onto the floor by min. 3/4 in. (20 mm).
SVT BRANDSCHUTZ VERTRIEBSGESELLSCHAFT MBH INTERNATIONAL — PYRO-SAFE FLAMMOTECT A
- C. Fill, Void or Cavity Material* — 2 lengths of 2 layers of 1/16 in. (1.5 mm) by 4 in. (100 mm) wrap butt jointed centrally within the depth of the seal around the bundle to a total length of 10 in. (200 mm).
SVT BRANDSCHUTZ VERTRIEBSGESELLSCHAFT MBH INTERNATIONAL — PYRO-SAFE DG-CR BS

*Indicates such products shall bear the UL or cUL Certification Mark for jurisdictions employing the UL or cUL Certification (such as Canada), respectively.

Please contact us for further information:

Information: global@svt.de Order: order@svt.de
+49 4105-40 90-0