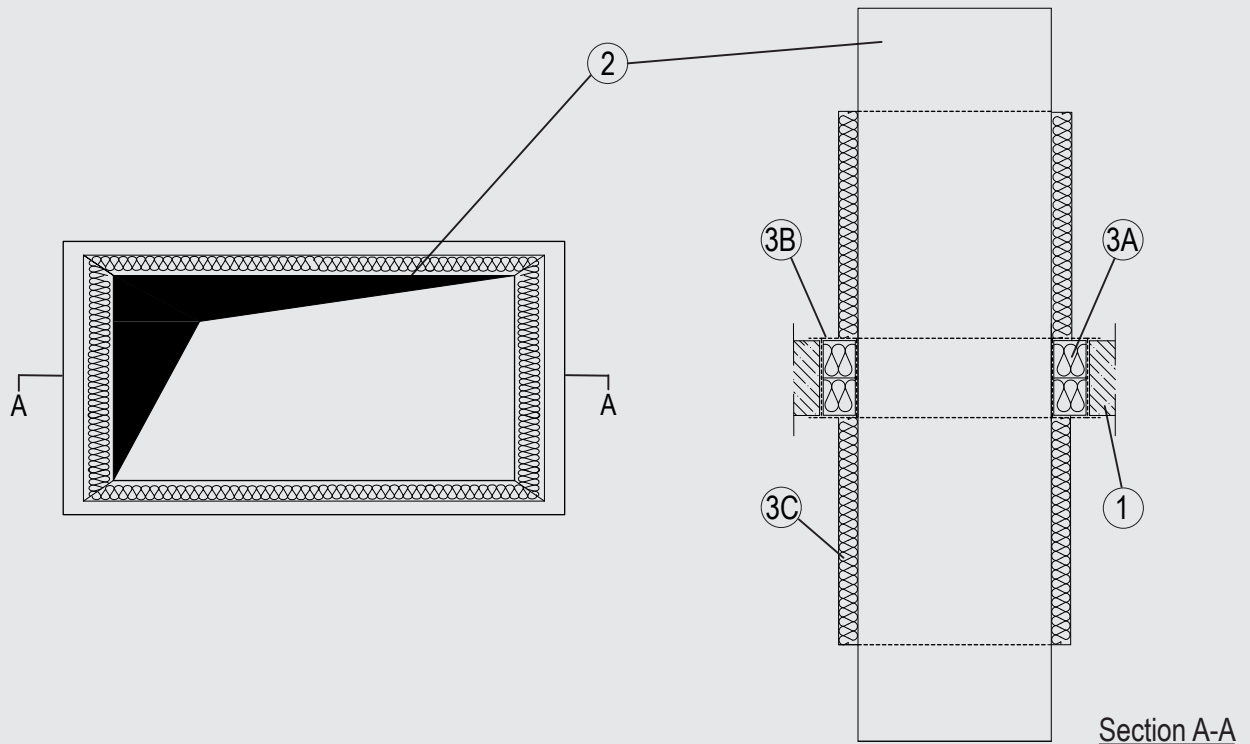


Through-penetration Firestop Systems

System No. F-A-1165

ANSI/UL1479 (ASTM E814)
CAN / ULC S115

F Rating — 3 Hr	F Rating — 3 Hr
T Rating — 1/2 Hr	FT Rating — 1/2 Hr
	FH Rating — 3 Hr
	FTH Rating — 1/2 Hr



1. Floor Assembly

Min. 4-1/2 in. (115 mm) thick lightweight or normal weight (100-150 pcf or 1600 - 2400 kg/m³) concrete. Opening shall be rectangular with max dimensions of 19-3/4 in. (500 mm) by 15-3/4 in. (400 mm).

2. Duct

Single to be installed within the opening. The annular space between the duct and the periphery of the opening to be 2 in (50 mm). Ducts to be rigidly supported on both sides of the floor assembly. The following penetrants may be used:

- A. Max. 15-3/4 in. (400 mm) by 11-3/4 in. (300 mm) galvanized steel duct.

3. Firestop System

The Firestop System shall consist of the following:

- A. Packing material — 2 layers of Nom. 2-3/8 in. (60 mm) thick mineral wool board min. 9.3 pcf (150 kg/m³) firmly packed into the opening of the floor as a permanent form.
- B. Fill, Void or Cavity Material* — Min. 1/16 in. (2 mm) dry film thickness to be applied inside the aperture before installation and over the full surface of the mineral wool boards, and overlapping onto the wall by min. 3/4 in. (20 mm).
SVT BRANDSCHUTZ VERTRIEBSGESELLSCHAFT MBH INTERNATIONAL — PYRO-SAFE FLAMMOTECT A
- C. Duct Insulation — Nom. 1-1/4 in. (30 mm) thick 'Klimarock' mineral fibre lamella mat, min density 2.5 pcf (40 kg/m³), wrapped around duct for min. 10 in. (250 mm) on both faces.

*Indicates such products shall bear the UL or cUL Certification Mark for jurisdictions employing the UL or cUL Certification (such as Canada), respectively.

Please contact us for further information:

Information: global@svt.de Order: order@svt.de
+49 4105-40 90-0