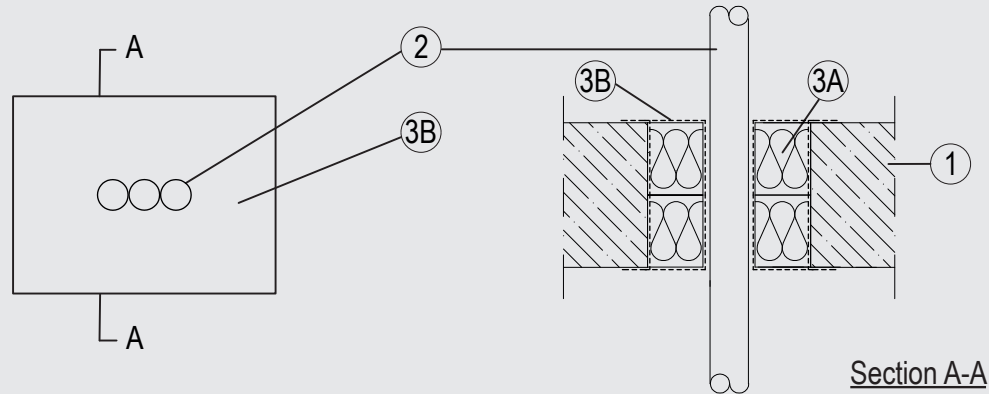


# Through-penetration Firestop Systems

## System No. F-A-1149

ANSI/UL1479 (ASTM E814)	CAN / ULC S115
F Rating — 3 Hr	F Rating – 3 Hr
T Rating — 1 Hr	FT Rating – 1 Hr
	FH Rating – 3 Hr
	FTH Rating – 1 Hr



### 1. Floor Assembly

Lightweight or normal weight (100-150 pcf or 1600-2400 kg/m<sup>3</sup>) concrete, min thickness of solid concrete floor assembly is 4-1/2 in. (115 mm). Opening shall be rectangular with max dimensions of 4-1/2 in. (116 mm) by 5-7/8 in. (148 mm).

### 2. Steel Pipes

Single or tight bundle to be installed within the opening on a cable tray. Aggregate cross-sectional area of pipes in opening to have a visual fill of min 0% to max 11%. The annular space between the pipes and the periphery of the opening to be a nom 2 in (50 mm). Pipes to be rigidly supported on both sides of the floor assembly. The following pipes may be used:

- A. Nominal 5/8 in. (17 mm) diameter (or smaller) Schedule 40 (or heavier), steel pipe.

### 3. Firestop System

The Through-Penetration Firestop System shall consist of the following:

- A. Packing Material — Nom. 2-3/8 in. (60 mm) thick mineral wool board min. 9.3 pcf (150 kg/m<sup>3</sup>) firmly packed into the opening of the floor as a permanent form. Packing material to be installed flush with both surfaces of floor.
- B. Fill, Void or Cavity Material\* — Min. 1/16 in. (2 mm) dry film thickness to be applied inside the aperture before installation and over the full surface of the mineral wool boards, and overlapping onto the floor by min. 3/4 in. (20 mm).

SVT BRANDSCHUTZ VERTRIEBSGESELLSCHAFT MBH INTERNATIONAL — PYRO-SAFE FLAMMOTECT A

\*Indicates such products shall bear the UL or cUL Certification Mark for jurisdictions employing the UL or cUL Certification (such as Canada), respectively.

Please contact us for further information:

Information: [global@svt.de](mailto:global@svt.de) Order: [order@svt.de](mailto:order@svt.de)  
+49 4105-40 90-0