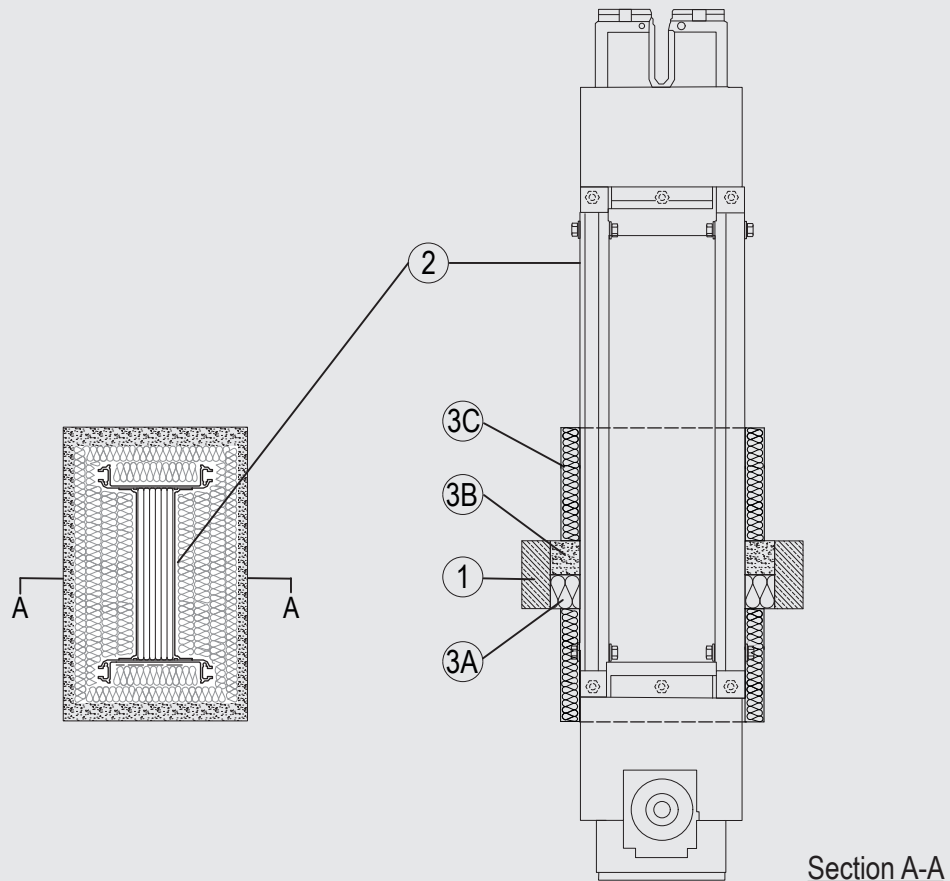


Through-penetration Firestop Systems

System No. C-AJ-6050

| ANSI/UL1479 (ASTM E814) | CAN / ULC S115 |
|-------------------------|-------------------|
| F Rating — 3 Hr | F Rating – 3 Hr |
| T Rating — 1 Hr | FT Rating – 1 Hr |
| | FH Rating – 3 Hr |
| | FTH Rating – 1 Hr |



1. Wall and Floor Assembly

Min 4-1/2 in. (115 mm) thick lightweight or normal weight (100-150 pcf or 1600 - 2400 kg/m³) concrete. Wall may also be constructed of any UL Classified Concrete Blocks*. Opening shall be rectangular with max dimensions 15-3/4 in. (400 mm) by 15-3/4 in. (400 mm). See Concrete Blocks (CAZT) in the Fire Resistance Directory for names of manufacturers.

2. Busbar

Single to be installed within the opening. The annular space between the busbar and the periphery of the opening to be 2 in (50 mm). Busbar to be rigidly supported on both sides of the wall or floor assembly. The following penetrants may be used:

- A. Aluminium or Copper busbar with max dimensions 11-3/4 in. (300 mm) by 11-3/4 in. (300 mm).

3. Firestop System

The Firestop System shall consist of the following:

- A. Packing Material — 1 layer of nom 2-3/8 in. (60 mm) thick mineral wool board min 9.3 pcf (150 kg/m³) firmly packed into the opening of the wall as a permanent form, flush to one surface of the wall or floor.
- B. Fill, Void or Cavity Material* — Min 2-1/8 in. (55 mm) cast into the annular space between the cables/tray and periphery of the opening, flush with one surface of the wall or floor. Mortar to be mixed with water in accordance with the manufacturer's installation instructions. SVT BRANDSCHUTZ VERTRIEBSGESELLSCHAFT MBH INTERNATIONAL — PYRO-SAFE GFM
- C. Busbar Insulation — Nom 1-1/4 in. (30 mm) thick mineral fibre lamella mat, min density 2.5 pcf (40 kg/m³), wrapped around busbar for min 7-7/8 in. (200 mm) on both faces.

*Indicates such products shall bear the UL or cUL Certification Mark for jurisdictions employing the UL or cUL Certification (such as Canada), respectively.

Please contact us for further information:

Information: global@svt.de Order: order@svt.de
 +49 4105-40 90-0