

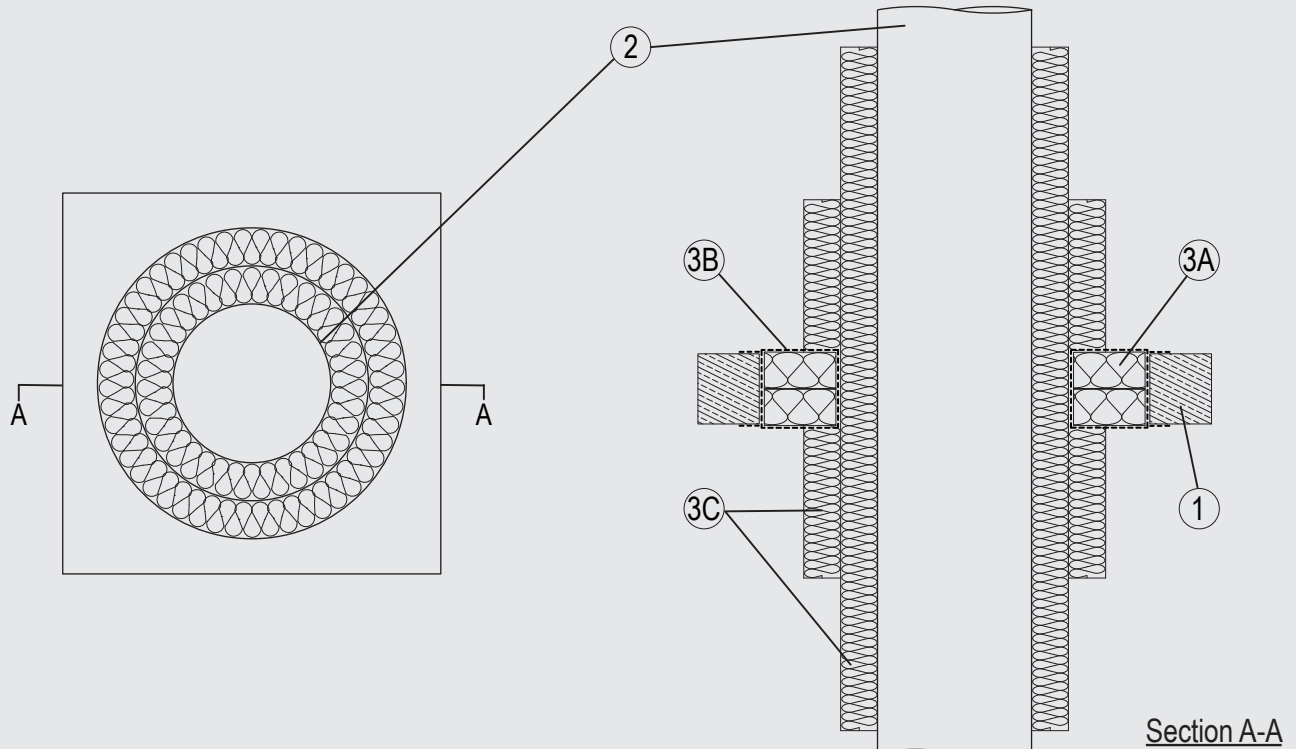
Through-penetration Firestop Systems

System No. C-AJ-2834

ANSI/UL1479 (ASTM E814)

CAN / ULC S115

F Rating — 3 Hr	F Rating – 3 Hr
T Rating — 3 Hr	FT Rating – 3 Hr
	FH Rating – 3 Hr
	FTH Rating – 3 Hr



System tested with a pressure differential of 2.5 Pa between the exposed and the unexposed surfaces with the higher pressure on the exposed side.

1. Wall and Floor Assembly

Min 4-1/2 in. (115 mm) thick lightweight or normal weight (100-150 pcf or 1600 - 2400 kg/m³) concrete. Wall may also be constructed of any UL Classified Concrete Blocks*. Opening shall be rectangular with max dimensions 7-7/8 in. (200 mm) by 7-7/8 in. (200 mm).

See Concrete Blocks (CAZT) in the Fire Resistance Directory for names of manufacturers.

2. Pipes

Single pipe to be installed within the opening. The annular space between the pipe and the periphery of the opening to be a nom 1/2 in. (15 mm). Pipe to be rigidly supported on both sides of the wall or floor assembly. The following pipes may be used:

- A. Nom 4-1/4 in. (110 mm) diam (or smaller) 3/8 in. (10 mm) wall thickness Aluminium composite pipe for use in closed (process or supply) or vented (drain, waste or vent) piping systems.

3. Firestop System

The Firestop System shall consist of the following:

- A. Packing material — 2 layers of nom 2-3/8 in. (60 mm) thick mineral wool board min 9.3 pcf (150 kg/m³) firmly packed into a steel sleeve in the opening of the wall or floor as a permanent form.
- B. Fill, Void or Cavity Material* - Sealant — Min 1/16 in. (2 mm) dry film thickness to be applied inside the aperture before installation and over the full surface of the mineral wool boards, and overlapping onto the wall or floor by min 3/4 in. (20 mm).
SVT BRANDSCHUTZ VERTRIEBSGESELLSCHAFT MBH INTERNATIONAL — PYRO-SAFE FLAMMOTECT A
- C. Pipe Insulation — Nom 1-1/4 in. (30 mm) thick mineral fibre lamella mat, min density 2.5 pcf (40 kg/m³), wrapped around pipe for min 19-3/4 in. (500 mm) on both faces and continuous through the seal. Nom 1-1/4 in. (30 mm) thick mineral fibre lamella mat, min density 2.5 pcf (40 kg/m³), wrapped around first layer of pipe insulation for min 10 in. (250 mm) on both faces.

*Indicates such products shall bear the UL or cUL Certification Mark for jurisdictions employing the UL or cUL Certification (such as Canada), respectively.

Please contact us for further information:

Information: global@svt.de Order: order@svt.de
+49 4105-40 90-0