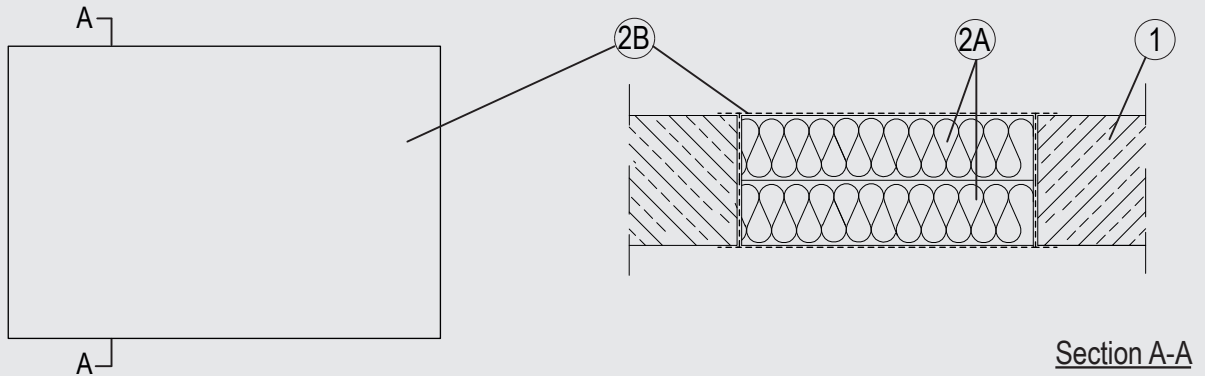


Through-penetration Firestop Systems

System No. C-AJ-0156

ANSI/UL1479 (ASTM E814)	CAN / ULC S115
F Rating — 3 Hr	F Rating – 3 Hr
T Rating — 3 Hr	FT Rating – 3 Hr
	FH Rating – 3 Hr
	FTH Rating – 3 Hr



1. Floor or Wall Assembly

Lightweight or normal weight (100-150 pcf or 1600-2400 kg/m³) concrete, min thickness of solid concrete floor or wall assembly is 4-1/2 in. (115 mm). Wall may also be constructed of any UL Classified Concrete Blocks*. Opening shall be rectangular with max dimensions of 15-3/4 in. (400 mm) by 10-5/8 in. (270 mm).

See Concrete Blocks (CAZT) category in Fire Resistance Directory for names of manufacturers.

2. Firestop System

The Through-Penetration Firestop System shall consist of the following:

- A. Packing Material — Nom. 2-3/8 in. (60 mm) thick mineral wool board min. 9.3 pcf (150 kg/m³) firmly packed into the opening of the floor or wall as a permanent form. Packing material to be installed flush with both surfaces of the floor or wall.
- B. Fill, Void or Cavity Material* — Min. 1/16 in. (2 mm) dry film thickness to be applied inside the aperture before installation and over the full surface of the mineral wool boards, and overlapping onto the concrete by min. 3/4 in. (20 mm).

SVT BRANDSCHUTZ VERTRIEBSGESELLSCHAFT MBH INTERNATIONAL — PYRO-SAFE FLAMMOTECT A

*Indicates such products shall bear the UL or cUL Certification Mark for jurisdictions employing the UL or cUL Certification (such as Canada), respectively.

Please contact us for further information:
 Information: global@svt.de Order: order@svt.de
 +49 4105-40 90-0