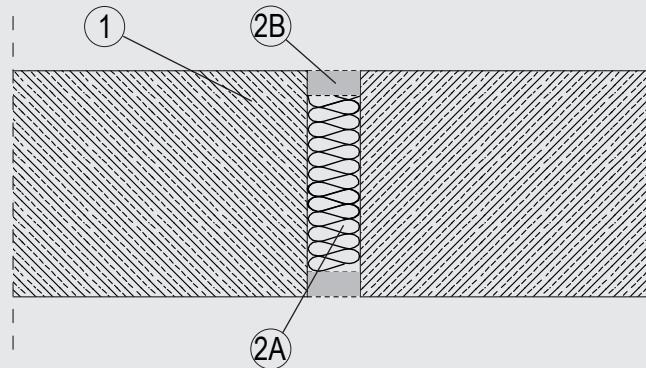


Joint Systems

System No. FF-S-0044

ANSI/UL2079	CAN / ULC S115
F Rating — 3 Hr	F Rating – 3 Hr
T Rating — 1 In. Max	FT Rating – 3 Hr
	FH Rating – 3 Hr
	FTH Rating – 3 Hr
	Joint Width — 25 mm Max



1. Floor or Wall Assembly

Min 4-1/2 in. (114 mm) thickness of reinforced lightweight or normal weight (100-150 pcf or 1600-2400 kg/m³) concrete.

2. Joint System

Max width of joint is 1 in. (25 mm). The joint system shall consist of the following:

- A. Packing Material — Min 6-1/4 pcf (100 kg/m³) mineral wool batt insulation installed into opening as a permanent form. Batt cut to min widths of 3-3/8 in. (85 mm) and installed edge first into opening such that the thickness of the wool is compressed tightly. Packing material to be recessed from both sides of floor to accommodate the required thickness of fill material.
- B. Fill, Void or Cavity Material* — Sealant — Min 3/8 in. (10 mm) thickness of fill material applied within the joint, flush with both surfaces of the floor.

SVT BRANDSCHUTZ VERTRIEBSGESELLSCHAFT MBH INTERNATIONAL — PYRO-SAFE FLAMMOTECT-A

*Indicates such products shall bear the UL or cUL Certification Mark for jurisdictions employing the UL or cUL Certification (such as Canada), respectively.

Please contact us for further information:

Information: global@svt.de Order: order@svt.de
+49 4105-40 90-0