

protect your values

PYRO-SAFE Flammotect *four-layer*

Installation instructions

Penetration sealing system made of a Mineral Fibre Boards (MFP) and ablative coating for electric cables and wires of all kinds. Fire resistance class EI 240 in accordance with EN 13501-2 according to ETA-14/0418 and Classification Report No. 1858.1/12/Z00NP (concrete floor, t = 200 mm) and Classification Report No. 2163/11/Z00NP (aerated concrete wall, t = 250 mm)



PYRO-SAFE Flammotect *four-layer*

Contents

Subject		Page
1.	Preliminary Remarks / Overview	
1.1	Target group; Use of the instructions; safety instructions	3
1.2	Field of application (Scope; Structural elements)	4
1.3	Fire resistance classes according to Classification report No. 1913.2/13/Z00NP	5
1.4	Field of application (thicknesses; spacing details)	6
2.	Allowed services	6
3	Spacing	7
4	Used products	8
5	Regulations and variants	9
5.1	Rules over the first supports	9
6	Fire protection measures / Installation procedure	
6.1	in walls	10 - 13
6.2	in floors	
	Declaration of performance	14

PYRO-SAFE Flammotect *four-layer*

1. Preliminary Remarks / Overview

1.1 Target group

- The installation instructions are aimed exclusively at individuals trained in fire protection.

1.1 Use of the manual

- Read through these installation instructions completely before starting work. Observe the following safety instructions in particular.
- The approval holder assumes no liability for damage caused by non-observance of these instructions.
- The pictures are only examples. The installation may differ visually.

1.1 Safety information



Read the safety data sheets when working with the penetration seal components.

Personal protective equipment:



In case of short-term or low-level exposure: P2 particle filter.
In case of intensive or long-term exposure: use self-contained breathing apparatus.
Only use respirators that comply with international/national standards.



Hand protection
Use chemical-resistant gloves.
Recommended material: butyl rubber, nitrile rubber, fluorinated rubber, PVC.



Eye protection
Wear protective goggles, safety glasses



Body protection
Wear protective clothing and non-slip shoes



Safety information for installation of floor penetration seals:

- The area below the floor penetration seal must be cordoned during the installation (warning tape, or sign: danger - falling objects; keep off this area; sealing work underway in the floor above!
- The installer shall inform the client in writing (to be forwarded to the building owners or their agents) that, after the installation, the penetration seal shall be secured against any loading with suitable measures, in particular the access shall be inhibited (e.g. with safety fence or grating).

PYRO-SAFE Flammotect *four-layer*

1.2 Field of application - Scope

The usefulness of the PYRO-SAFE Flammotect four-layer cable penetration seal was determined according to ETAG 026-2 regarding the features „fire performance“, „fire resistance“, „release of dangerous substances“ and „durability and fitness for use“.

Reaction to fire

The ablative “PYRO-SAFE FLAMMOTECT-A” components comply with reaction to fire class E of EN 13501-1; the intumescent “PYRO-SAFE DG-CR” material complies with reaction to fire class B-s1,d0 of EN 13501-1; the mineral-fibre boards and the mineral-fibre mats comply with reaction to fire class A1 and A2-s1,d0, respectively, of EN 13501-1.

Fire resistance

The highest requirements that the PYRO-SAFE Flammotect four-layer system complies with are those of class EI 240 in accordance with EN 13501-2.

If installed in walls/floors with a lower fire resistance time, the fire resistance time of the penetration seal is also reduced to the fire resistance class of the wall or floor.

Release of dangerous substances

The ablative “PYRO-SAFE FLAMMOTECT-A” component and the intumescent “PYRO-SAFE DG-CR” fabric do not contain any substances identified as dangerous in the list of the European Commission.

The mineral-fibre board; the mineral-fibre mat and the loose mineral fibre wool do not contain any dangerous substances listed in Directive 67/548/EC or Regulation (EC) No. 1272/2008 or the Indicative List on Dangerous Substances.

Durability and serviceability

The ablative „PYRO-SAFE FLAMMOTECT-A“ component and the intumescent „PYRO-SAFE DG-CR“ fabric comply with use category X in accordance with EOTA TR 024.

The fire safety characteristics of the PYRO-SAFE Flammotect four-layer system is not affected in any significant way if exposed to indoor (moisture conditions) or outdoor atmospheric agents.

1.2 Field of application - Structural elements

Massive walls

Made of stone, concrete, reinforced concrete or aerated concrete with a density $\geq 600 \text{ kg/m}^3$.

The walls shall be classified for the required fire resistance time in accordance with EN 13501-2.

Applicability of DIN 4102

The classifications according to DIN 4102-2 and according to DIN EN 13501-2, DIN EN 13501-3 and DIN EN 13501-5 are used alternatively for evidence of the required fire resistance rating of a component. (Building Regulations List A Part 1 - Appendix 0.1)

Solid floors

Made of concrete.

The walls shall be classified for the required fire resistance time in accordance with EN 13501-2.

PYRO-SAFE Flammotect *four-layer*

1.3 Fire resistance classes for wall and floor penetration seals

Fire resistance classes							
	Wall ≥ 240 mm						
	Fire resistance classes						
	EI 30	EI 45	EI 60	EI 90	EI 120	EI 240	E 240
Cables on cable ducts or without cable ducts, with "PYRO-SAFE DG-CR 1,5" intumescent wrap							
Cable $\varnothing \leq 21$ mm	●	●	●	●	●	●	●
Cable bundle $\varnothing \leq 100$ mm with cable $\varnothing \leq 21$ mm	●	●	●	●	●	●	●
Cable support structures	●	●	●	●	●	●	●
Cable $\varnothing > 21$ mm to $\varnothing \leq 80$ mm	●	●	●	●	●	●	●

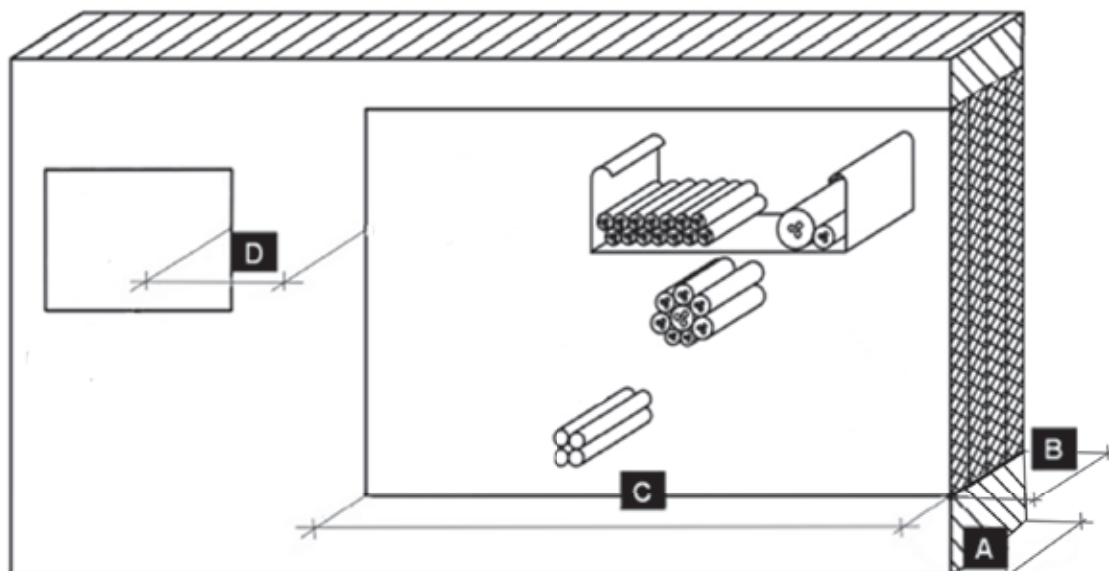
Fire resistance classes							
	Floor ≥ 200 mm						
	Fire resistance classes						
	EI 30	EI 45	EI 60	EI 90	EI 120	EI 240	E 240
Cables on cable ducts or without cable ducts, with "PYRO-SAFE DG-CR 1,5" intumescent wrap							
Cable $\varnothing \leq 21$ mm	●	●	●	●	●	●	●
Cable bundle $\varnothing \leq 100$ mm with cable $\varnothing \leq 21$ mm	●	●	●	●	●	●	●
Cable support structures	●	●	●	●	●	●	●
Cable $\varnothing > 21$ mm to $\varnothing \leq 80$ mm	●	●	●	●	●	●	●

Subject to errors, misprints and modifications. All information corresponds to state-of-the-art technology and the version of standards applicable at the time of printing (05/2015).
 On request, we would be happy to inform you about the legal and technical framework or the manufacturer's specifications applicable in your individual case. © Copyright svt Group, Seevetal.
 PYRO-SAFE is a registered trademark © of the svt Group, Seevetal.

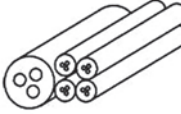
PYRO-SAFE Flammotect *four-layer*

1.4 Field of application - Dimensions

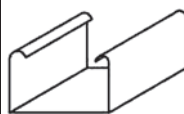
Dimensions			
Item	Designation	Wall [mm]	Ceiling [mm]
A	Component thickness	≥ 240	≥ 200
B	Partition thickness	240	240
C	Maximum dimensions of the opening (width x height)	600 x 600	600 x ∞
D	Distance to other openings or installations	≥ 200	≥ 200



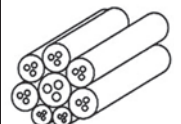
2. Allowed Services



Electrical cables and ducts of any kind (incl. fibre optic cables)
Maximum size of the overall cross section of the single cables $\varnothing \leq 80$ mm



cable ducts and ladders
made of steel with organic coating if applicable, as long as the fire reaction class complies at least with class A2 according to EN 13501-1.

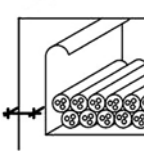
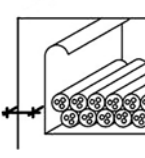
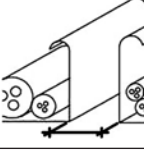
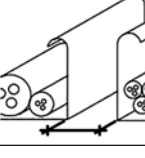
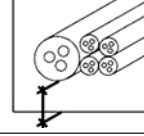
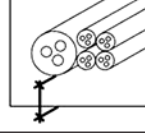
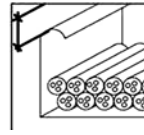
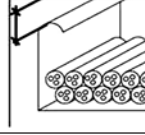
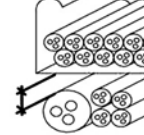
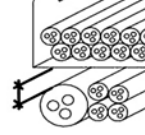


Cable bundle
Up to $\varnothing \leq 100$ mm with single cable $\varnothing \leq 21$ mm.
Cable filler not required for tightly packed and tied cable bundles

Subject to errors, misprints and modifications. All information corresponds to state-of-the-art technology and the version of standards applicable at the time of printing (05/2015). On request, we would be happy to inform you about the legal and technical framework or the manufacturer's specifications applicable in your individual case. © Copyright svt Group, Seevetal. PYRO-SAFE is a registered trademark © of the svt Group, Seevetal.


PYRO-SAFE Flammotect *four-layer*


3 Spacing for massive walls and floors - cables


Cable / cable bundle / cable support structure with PYRO-SAFE DG-CR 1,5 wrap in walls		[mm]	Cable / cable bundle / cable support structure with PYRO-SAFE DG-CR 1,5 wrap in floors		[mm]
	Distance to the side edge	≥ 20		Distance to the side edge	≥ 20
	Distance between support structures	≥ 10		Distance between support structures	≥ 10
	Distance to the lower edge	≥ 0		Distance to the lower edge	≥ 0
	Distance to the upper edge	≥ 20		Distance to the upper edge	≥ 20
	Distance to each other	≥ 80		Distance to each other	≥ 40


Subject to errors, misprints and modifications. All information corresponds to state-of-the-art technology and the version of standards applicable at the time of printing (05/2015).
 On request, we would be happy to inform you about the legal and technical framework or the manufacturer's specifications applicable in your individual case. © Copyright svt Group, Seevetal.
 PYRO-SAFE is a registered trademark © of the svt Group, Seevetal.

4. Used products


	<p>PYRO-SAFE FLAMMOTECT- A Coating</p> <p>Reaction to fire class in accordance with EN 13501-1: class E 12.5-kg pail - product No. 01155101</p>
---	--


	<p>PYRO-SAFE FLAMMOTECT- A Solid emulsion</p> <p>Reaction to fire class in accordance with EN 13501-1: class E 12.5-kg pail - product No. 01155106</p>
---	---


	<p>PYRO-SAFE FLAMMOTECT- A Filler</p> <p>Reaction to fire class in accordance with EN 13501-1: class E 12.5-kg pail - product No. 01155104</p>
---	---


	<p>PYRO-SAFE FLAMMOTECT- A Filler</p> <p>Reaction to fire class in accordance with EN 13501-1: class E 310- cartridge - product No. 01155115</p>
---	---


	<p>PYRO-SAFE DG-CR 1,5</p> <p>Cable and pipe wrap in accordance with ETA-13/0100 Reaction to fire class in accordance with EN 13501-1: B-s1,d0 Intumescent construction material for wrap- ping cable and pipe wraps of various widths</p>
---	---

	<p>Mineral-fibre board in accordance with DIN EN 13162</p> <p>characteristics: density $\geq 150 \text{ kg / m}^3$ Reaction to fire class A1 according to EN 13501:1 Melting point $\geq 1,000^\circ\text{C}$. (TR10) tensile strength perpendicular to the panel $\geq 10\text{kPa}$ according to EN1607 Thickness: 60 mm</p>
--	--

	<p>Mineral-fibre board</p> <p>pre-coated with PYRO-SAFE FLAMMOTECT - A on one side Dimensions: 1,000 x 600 x 60 mm Product No. 01181160</p>
--	--

	<p>Mineral wool</p> <p>in acc. with abZ approval Z-23.15-1468 Reaction to fire class in accordance with EN 13501-1: class A1 Melting point $> 1,000^\circ\text{C}$ 10-kg bag - product No. 01183000</p>
---	--

	<p>Label</p> <p>1 piece - Part No.</p>
--	---

	<p>Recommended tools</p> <ul style="list-style-type: none"> • Spatulas, brushes, masking tape • cutter and saw • Possibly foil, folding ladder • Pliers, galvanized steel wire
--	---

Subject to errors, misprints and modifications. All information corresponds to state-of-the-art technology and the version of standards applicable at the time of printing (05/2015).
 On request, we would be happy to inform you about the legal and technical framework or the manufacturer's specifications applicable in your individual case. © Copyright svt Group, Seevetal.
 PYRO-SAFE is a registered trademark © of the svt Group, Seevetal.

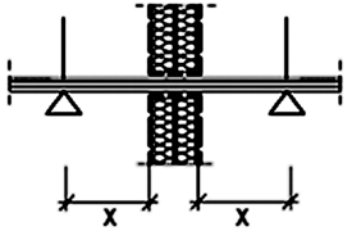
PYRO-SAFE Flammotect *four-layer*

5. Regulations and variants for implementation

- The cable penetration seal may be used to seal openings without installations (so-called reserve partition).
- Penetration seal in floors shall be protected with suitable barriers or covered with grating by the installer, in order to prevent them from being load or walked on.
- The penetration seal mineral fibre surface shall be coated with a layer of PYRO-SAFE FLAMMOTECT-A with a dry film thickness of at least 2 mm.
- The fire protection measures are shown on the following pages and apply also for post-installations.

5.1 Rules over the first cable supports

- The core of the first supports before the installation shall be made of non-combustible material (fire resistance class A1 or A2 according to EN 13501-1) and the supports shall be placed at a distance according to the table below.

First support for wall installations	X [mm]
 <p data-bbox="488 1263 944 1294">Cables, cable bundles, cable support structures</p>	≤ 100

protect your values

PYRO-SAFE Flammotect *four-layer*

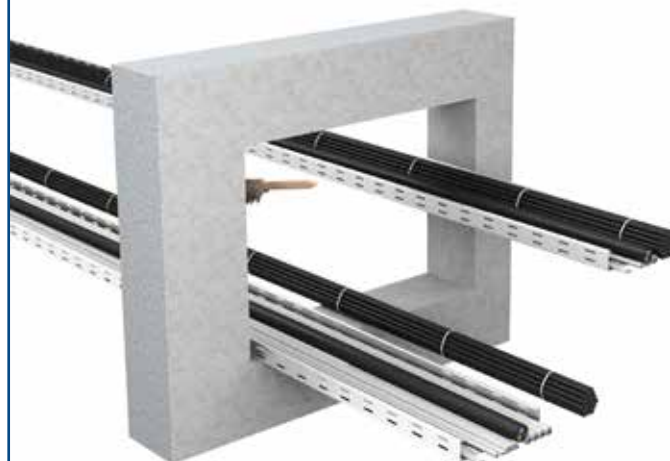


6.1 Installation procedure in walls

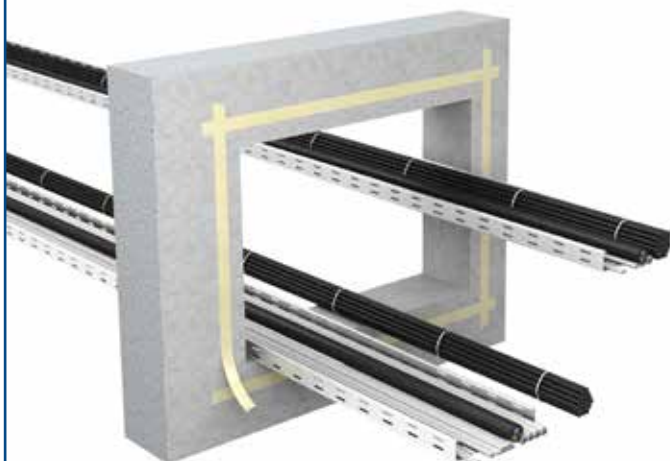
1. Opening with penetrations



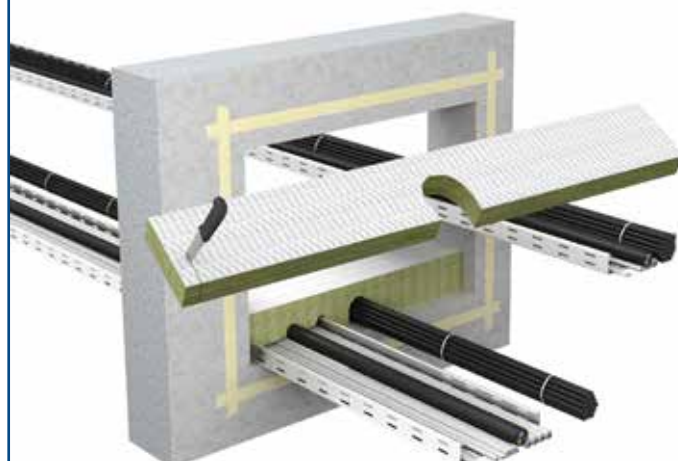
2. Clean the inside edge



3. Place the masking tape around the opening at a distance of 20 mm to the edge.



4. Cut mineral fibre boards to the needed size (provide openings for cables and cable ducts).

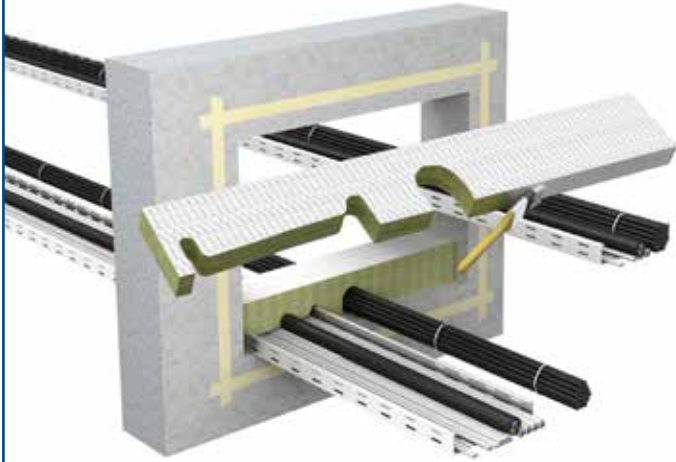


Subject to errors, misprints and modifications. All information corresponds to state-of-the-art technology and the version of standards applicable at the time of printing (05/2015).
On request, we would be happy to inform you about the legal and technical framework or the manufacturer's specifications applicable in your individual case. © Copyright svt Group, Seevetal.
PYRO-SAFE is a registered trademark © of the svt Group, Seevetal.

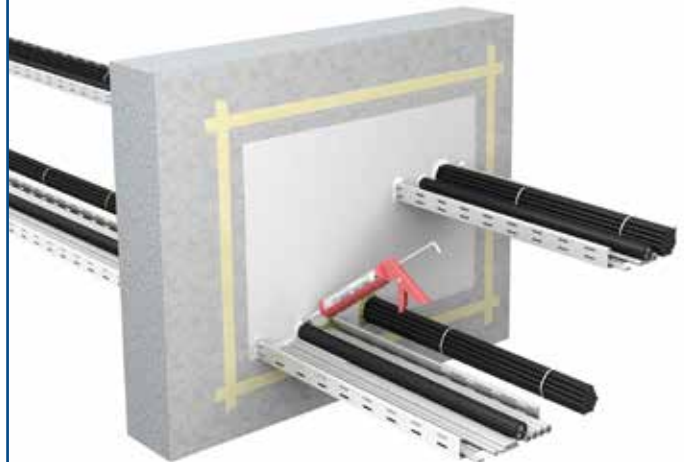
PYRO-SAFE Flammotect *four-layer*

6.1 Installation procedure in walls - requirements for cables

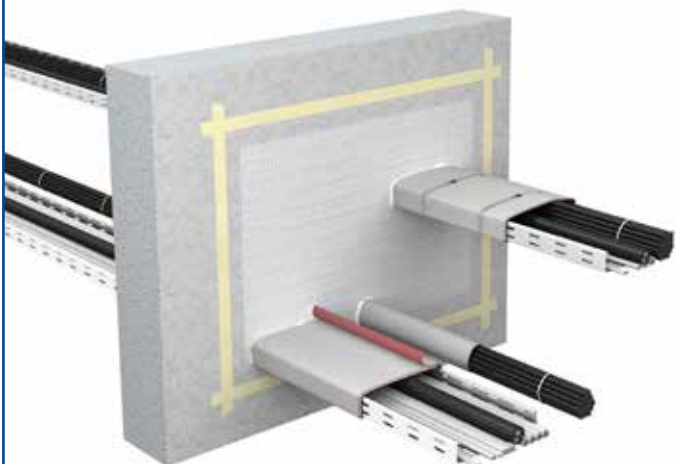
5. Apply PYRO-SAFE FLAMMOTECT-A to the cut faces of the mineral fibre board and insert flush and tightly the board into the opening.



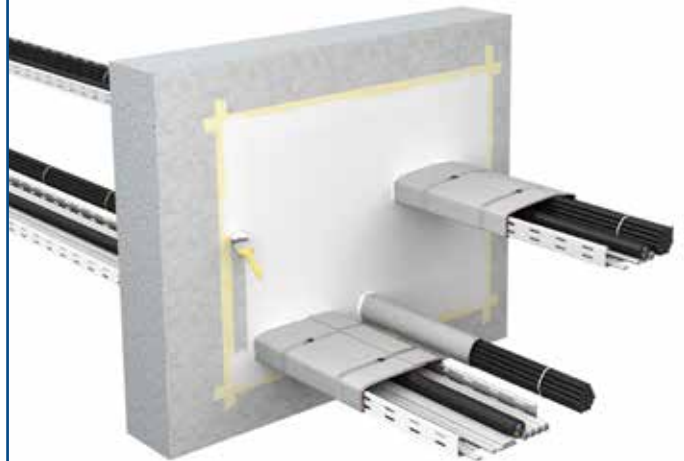
6. Fill remaining gaps with mineral fibre wool or seal with PYRO-SAFE FLAMMOTECT-A.



7. Wrap cables, cable bundles and cable support structures with PYRO-SAFE DG-CR 1,5 For details, see next page.



8. Apply a final PYRO-SAFE FLAMMOTECT-A coating



Subject to errors, misprints and modifications. All information corresponds to state-of-the-art technology and the version of standards applicable at the time of printing (05/2015). On request, we would be happy to inform you about the legal and technical framework or the manufacturer's specifications applicable in your individual case. © Copyright svt Group, Seevetal. PYRO-SAFE is a registered trademark © of the svt Group, Seevetal.

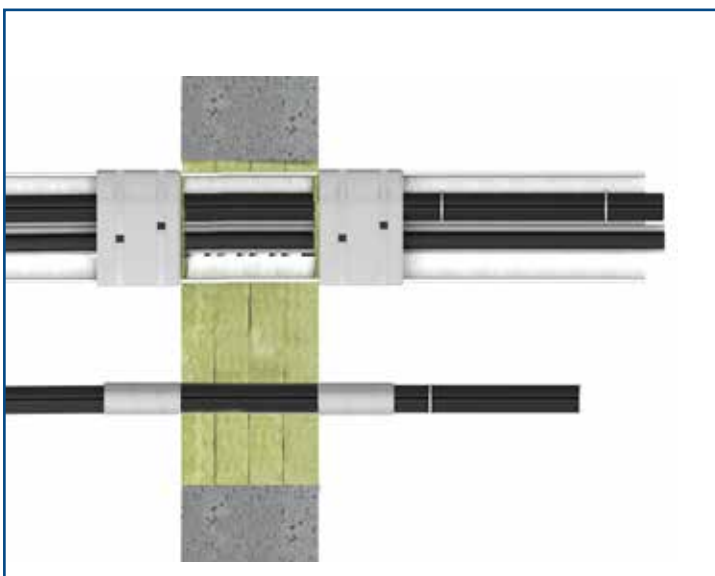
PYRO-SAFE Flammotect *four-layer*

6.1 Installation procedure in walls

9. If required or mandatory, fill the identification label and apply on the side or below (not over!) the installation.



6.1 Fire protection measures in walls



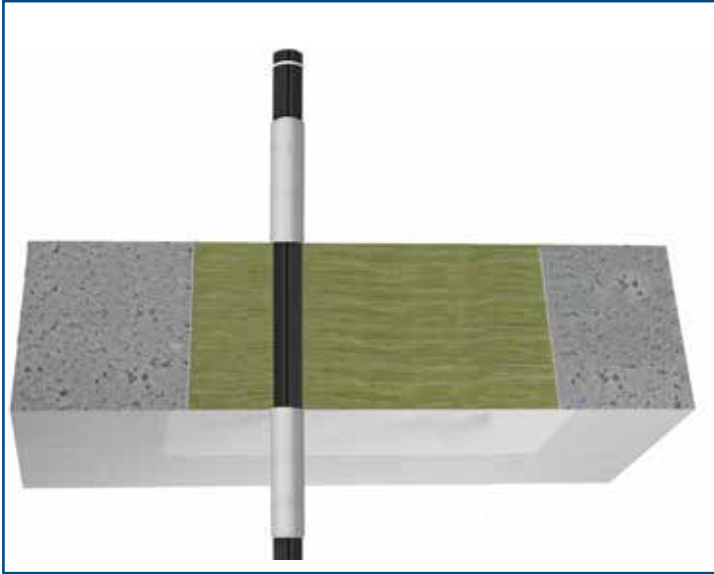
Measures for wall penetration seals (per side)

	Type	Dry film thickness / wrap width [mm]	Length inside / before seal surface [mm]		Layers	Overlap [mm]	Steel-wire fasteners (amount)
			inside	before			
Cable $\varnothing \leq 21$ mm	PYRO-SAFE DG-CR 1,5 wrap	500	-	500	2	2 installed at 150 mm and 300 mm from penetration seal surface	
Cable bundle $\varnothing \leq 100$ mm with cable $\varnothing \leq 21$ mm							
Cable support structures							
Cable $\varnothing > 21$ mm to $\varnothing \leq 80$ mm							

Subject to errors, misprints and modifications. All information corresponds to state-of-the-art technology and the version of standards applicable at the time of printing (05/2015).
 On request, we would be happy to inform you about the legal and technical framework or the manufacturer's specifications applicable in your individual case. © Copyright svt Group, Seevetal.
 PYRO-SAFE is a registered trademark © of the svt Group, Seevetal.

PYRO-SAFE Flammotect *four-layer*

6.2 Fire protection measures in floors



Subject to errors, misprints and modifications. All information corresponds to state-of-the-art technology and the version of standards applicable at the time of printing (05/2015).
 On request, we would be happy to inform you about the legal and technical framework or the manufacturer's specifications applicable in your individual case. © Copyright svt Group, Seevetal.
 PYRO-SAFE is a registered trademark © of the svt Group, Seevetal.

Measures for floor penetration seals (per side)							
	Type	Dry film thickness / wrap width [mm]	Length inside / before surface [mm]		Layers	Overlap [mm]	Steel-wire fasteners (number)
			Inside	before			
Cable $\varnothing \leq 21$ mm	PYRO-SAFE DG-CR 1,5 wrap	500	-	500	2	2 installed at 150 mm and 300 mm from penetration seal surface	
Cable bundle $\varnothing \leq 100$ mm with cable $\varnothing \leq 21$ mm							
Cable support structures							
Cable $\varnothing > 21$ mm to $\varnothing \leq 80$ mm							



Declaration of Performance
N° 01155-PYRO-SAFE-FLAMMOTECT-A
PYRO-SAFE FLAMMOTECT-A

Date: 27.01.2015
 Rev. 02
 Page 1 of 1

Unique identification code of the product type
PYRO-SAFE FLAMMOTECT-A

Intended use:
Ablative fire stopping product used in penetration seals

Producer
svt Brandschutz Vertriebsgesellschaft mbH International
Gluesinger Strasse 86
D - 21217 Seevetal
Germany

System for assessing and verifying constancy of performance
System 1

European Assessment Document
ETAG 026-2:2011-10-14

European Technical Assessment
ETA-14/0418 of 04.12.2014

Technical Assessment Body
Deutsches Institut für Bautechnik (DIBt), Berlin

The notified body
Materialprüfanstalt für das Bauwesen Braunschweig, code number 0761

Declared performance

Essential characteristics	Performance	Harmonised technical specification
Reaction to fire	Class E	EN 13501-1
Fire resistance	Class EI 30 of a penetration seal (with mineral wool; see Annexes 1 and 17-22 of ETA-14/0418 for details)	EN 13501-2
	Class EI 60 of a penetration seal (with mineral fibre board single-layer; see Annexes 1 and 2-6 of ETA-14/0418 for details)	
	Class EI 60 of a penetration seal (with mineral wool; see Annexes 1 and 23-27 of ETA-14/0418 for details)	
	Class EI 90 of a penetration seal (with mineral wool; see Annexes 1 and 28-32 of ETA-14/0418 for details)	
	Class EI 90 of a penetration seal (without mineral wool; see Annexes 1 and 33 of ETA-14/0418 for details)	
	Class EI 120 of a penetration seal (with mineral fibre boards double-layer; see Annexes 1 and 7-11 of ETA-14/0418 for details)	
	Class EI 240 of a penetration seal (with mineral fibre boards quadruple-layer; see Annexes 1 and 12-16 of ETA-14/0418 for details)	
Emission of dangerous substances	no dangerous substances	ETAG 026-2
Durability and serviceability	Use category type X	EOTA TR 024

The performance of the product identified above is in conformity with the set of declared performances. This declaration of performance is issued, in accordance with Regulation (EU) No. 305/2011, under the sole responsibility of the manufacturer identified above

DoP online available at www.svt.de.

Signed for and on behalf of the manufacturer by:

i.V. Christian Meyer-Korte
 Head of Product Management

i.V. Andree Schober
 Head of chemical department